

Project Name:		Approval:	
Location:		Date:	
Engineer:		Construction:	
Submitted to:		Unit #:	
Submitted by:		Drawing #:	
Reference:			

Indoor unit model	B-DVH09SG-1
Outdoor unit model	A-DVH09SG-1



**PERFORMANCE DATA**

Power supply	Ph-V-Hz	208-230V, 1Ph, 60Hz
<b>Cooling</b>		
Capacity	Btu/h	9000
Input	W	820
Rated current	A	3.6
EER	Btu/w	11.0
SEER	Btu/w	18.0
<b>Heating at 47</b>		
Capacity	Btu/h	9000
Input	W	864
Rated current	A	3.76
COP	W/W	3.11
HSPF4		9.5
HSPF5		8
<b>Electrical</b>		
MINIMUM CIRCUIT AMPACITY	A	10.0
MAX. FUSE	A	15.0
Connection wiring		16*4 AWG
<b>Compressor</b>		
Model		KSK103D33UEZ3
Type		Rotary
Brand		GMCC
Capacity	Btu/h	10577.2
Input	W	790
Rated current(RLA)	A	5.6
Locked rotor Amp(LRA)	A	-
Thermal protector		-
Thermal protector position		-
Refrigerant oil/oil charge	ml	ESTER OIL VG74 310 ±15 ml
<b>SYSTEM DATA</b>		
Design pressure	PSIG	550/340
Refrigerant type	oz	R410A/30
Refrigerant precharge	ft	25
Additional charge per ft.	oz	0.161
Liquid side/Gas side	mm(in)	Φ6.35/Φ9.52(1/4"/3/8")
Max. refrigerant pipe length	ft	82
Max. difference in level	ft.	33

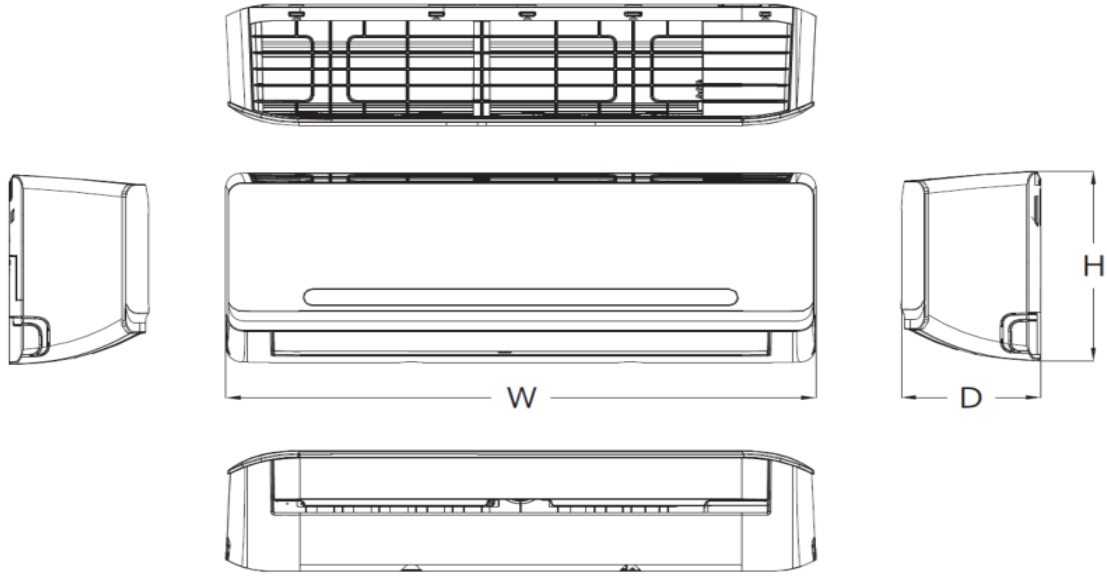
**INDOOR UNIT DATA**

<b>Indoor fan motor</b>		
Model		B-DVH09SG-1
Brand		Welling
Input		50
RLA	A	0.06
LRA	A	-
Winding Resistance	Ω	-
Capacitor	uF	-
Speed(Hi/Mi/Lo)	r/min	1240/850/650
<b>Air flow &amp; Noise level</b>		
Indoor air flow (Hi/Lo)	CFM	309/285/187
Indoor noise level (Hi/Lo)	dB(A)	38/32/25
<b>Indoor unit</b>		
Dimension(W*D*H)	inch	28.43x7.36x11.42
Packing (W*D*H)	inch	31.10x10.63x14.57
Net/Gross weight	lbs.	17.0/22.7

**OUTDOOR UNIT DATA**

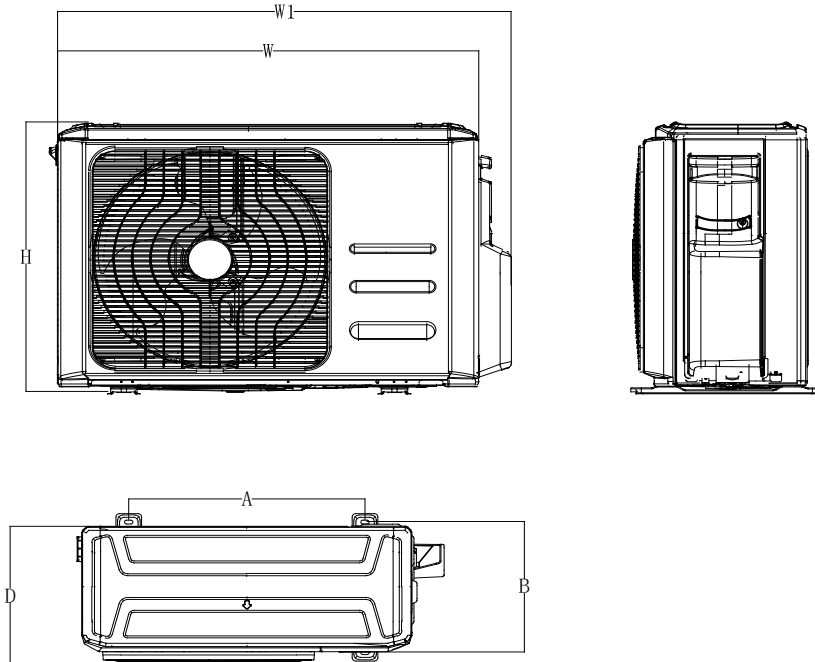
<b>Outdoor fan motor</b>		
Model		A-DVH09SG-1
Brand		58
Input		34
RLA	A	0.39
LRA	A	-
Winding Resistance	Ω	77.3
Capacitor	uF	-
Speed	r/min	850/650
<b>Air flow &amp; Noise level</b>		
Outdoor air flow	CFM	1176.47
Outdoor noise level	dB(A)	52
<b>Outdoor unit</b>		
Dimension(W*D*H)	inch	30.31x11.81x21.85
Packing(W*D*H)	inch	35.43x13.58x23.03
Net/Gross weight	lbs.	66.8/71.87
<b>Operation temperature</b>		
Indoor(cooling/heating)	Deg. F	62~90/32~86
Outdoor(cooling/heating)	Deg. F	5~122/5~86
Application area	sq.ft	129-189

**INDOOR UNIT**



Model	W (inch)	D (inch)	(inch)				
B-DVH09SG-1	28.43	7.36	1.42				

**OUTDOOR UNIT**



Model	W (inch)	D (inch)	(inch)			W1 (inch)	A (inch)	B (inch)
A-DVH09SG-1	30.31	11.81	1.85			33.07	19.17	11.73